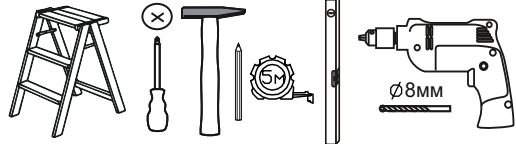
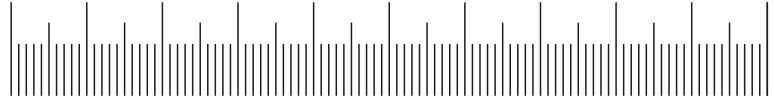


No	O/A UGL	Qty	Pkg
1	2200*507*16	1	1/6
2	2200*507*16	1	1/6
3	2096*506*16	1	1/6
4	2096*497*16	1	1/6
5	936*936*16	1	2/6
6	936*936*16	1	2/6
7	423*503*16	2	4/6
8	423*503*16	3	4/6
9	920*495*16	2	2/6
10	645*70*16	1	2/6
11	886*70*16	1	2/6
12	870*70*16	1	2/6
13	2123*453*3	1	1/6
14	2123*473*3	2	1/6
15	2145*604*16	2	3/6
SP01	L-2091	1	1/6
SH01	L-916	1	2/6
RP04	L-1100	1	6/6






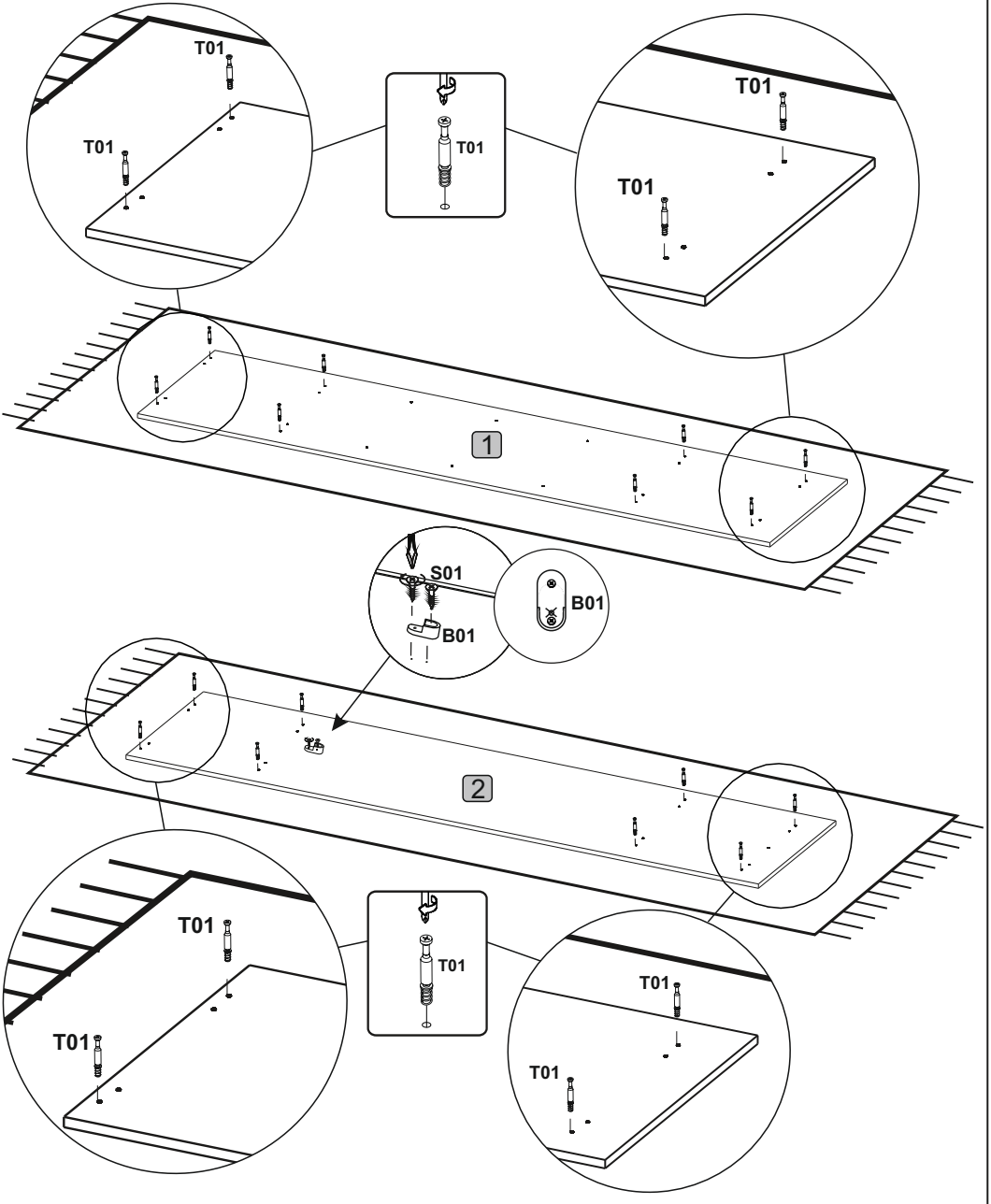
 6x34 32x <b>T01</b>	 Ø15 32x <b>D15</b>	 3,5x16 40x <b>S01</b>	 7x50 4x <b>E01</b>	 4MM 1x <b>K4</b>	 8x30 28x <b>W-30</b>	 1,6x25 85x <b>G01</b>
 76x32 2x <b>O01</b>	 2x <b>B01</b>	 8x <b>P01</b>	 100x20 2x <b>P03</b>	 Ø15 6x <b>Z06</b>	 Ø18 32x <b>Z07</b>	 Ø40 3x <b>Z08</b>
 12x <b>C01</b>	 2x <b>O03</b>					
 3,5x16 16x <b>S01</b>	 4x <b>PN01</b>					
 L=1100 1x <b>RP04</b>	 3,5x16 4x <b>S01</b>					
 L=932 1x <b>SH01</b>	 L=2091 1x <b>SP01</b>					

0 1 2 3 4 5 6 7 8 9 10



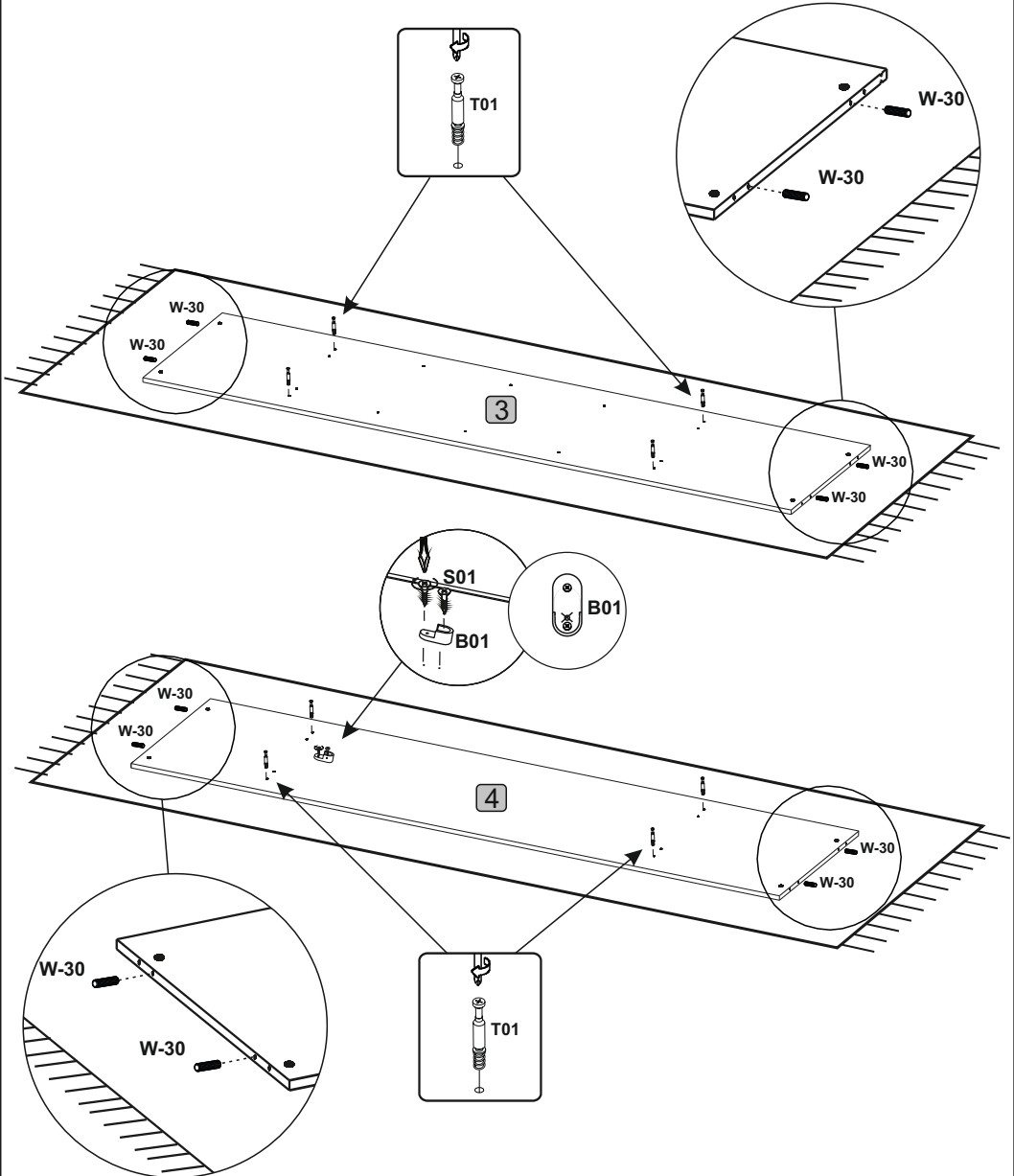
1

6x34 	3,5x16 	
16x T01	2x S01	1x B01



2

6x34 	3,5x16 		8x30 
8x <b>T01</b>	2x <b>S01</b>	1x <b>B01</b>	4x <b>W-30</b>



3

6x34



T01

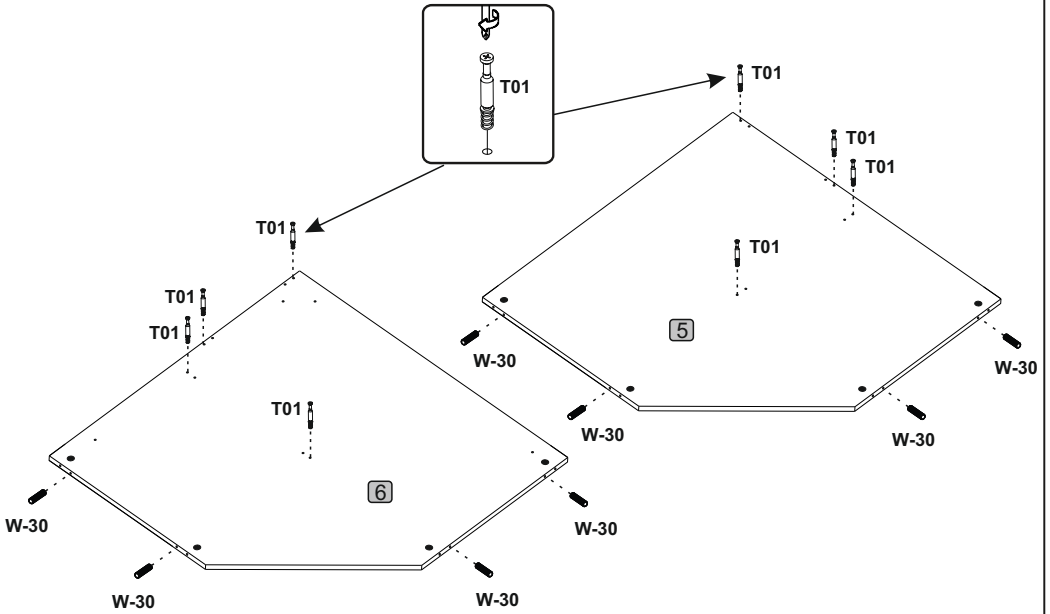
8x

8x30



W-30

8x



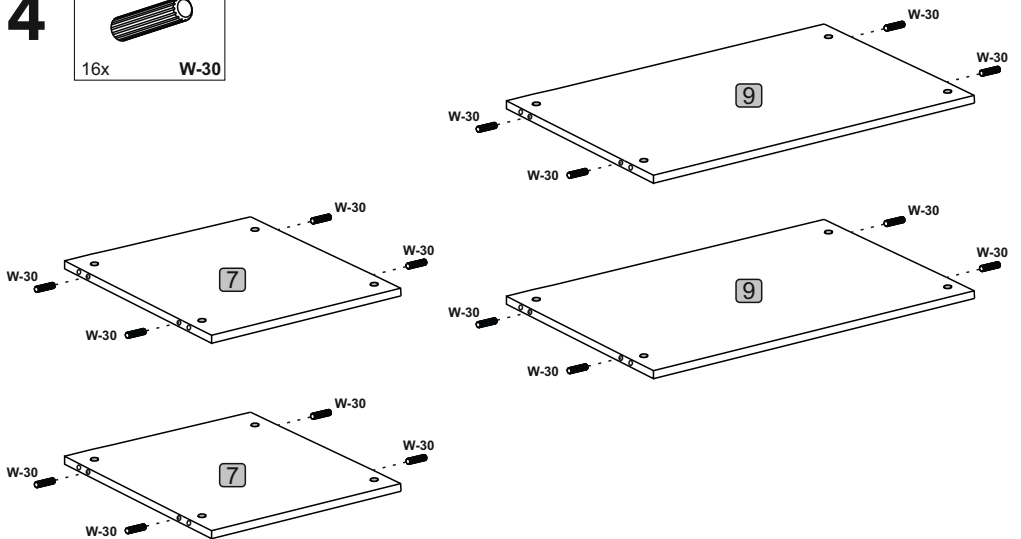
4

8x30



W-30

16x



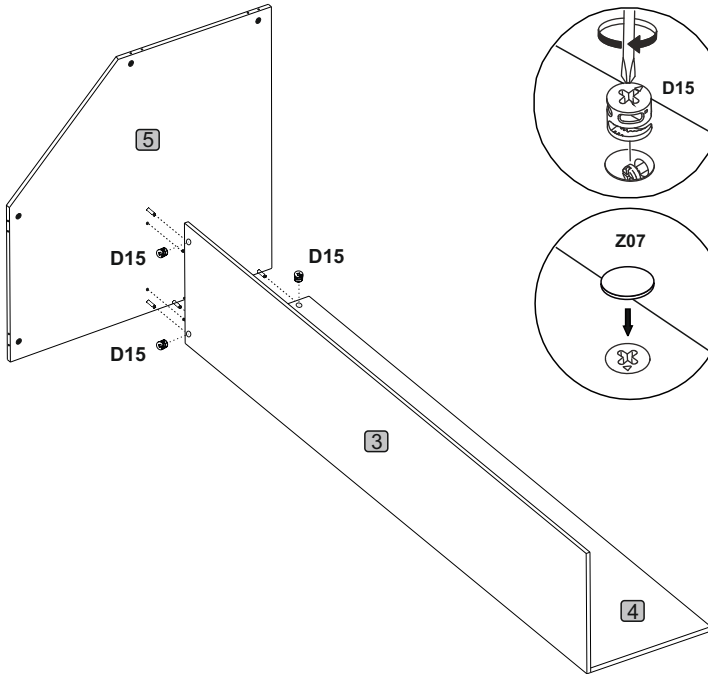
5



4x D15



4x Z07



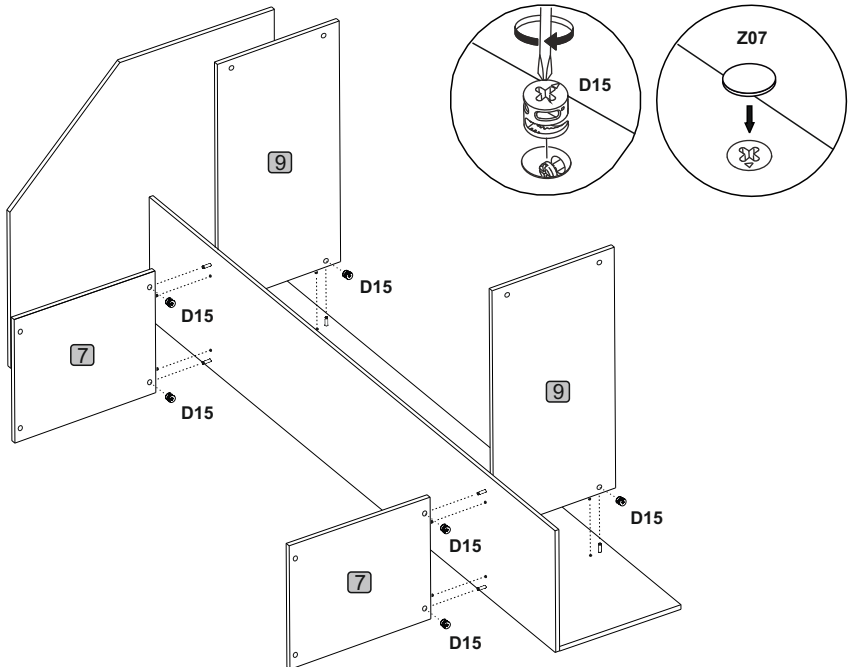
6



8x D15



8x Z07



7

Ø15



4x

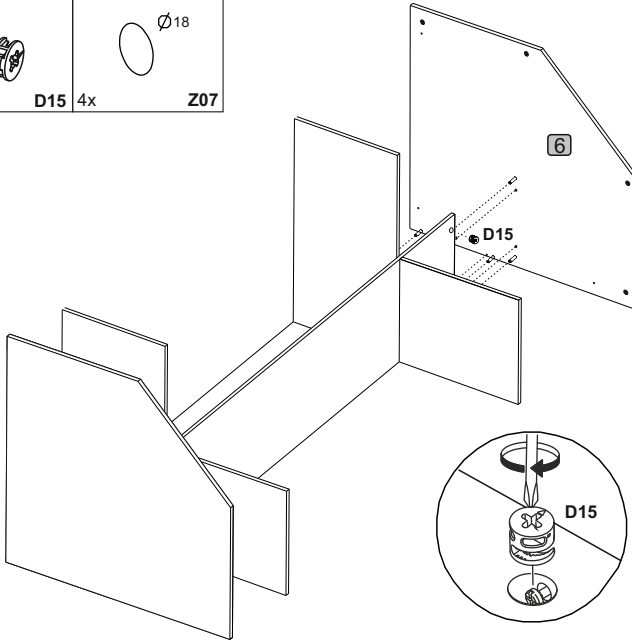
D15

Ø18



4x

Z07



8

Ø15



16x

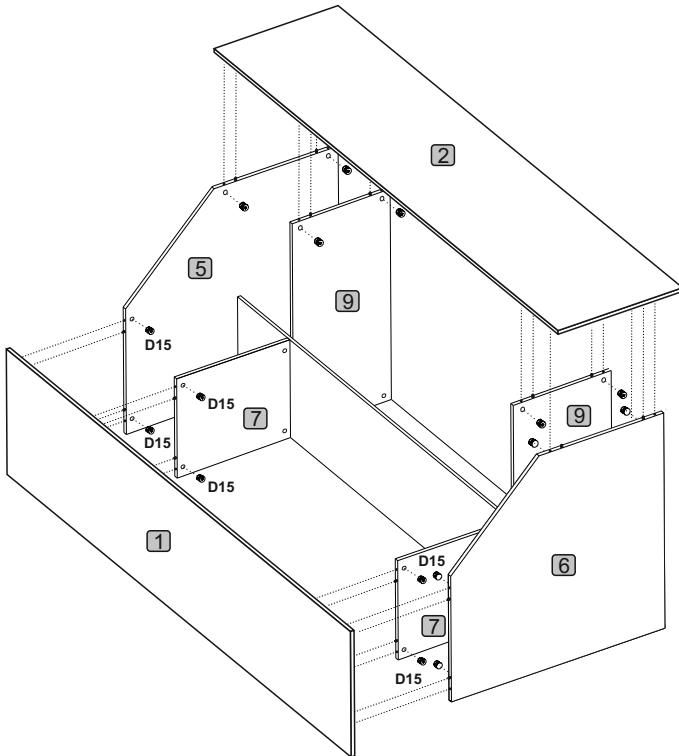
D15

Ø18



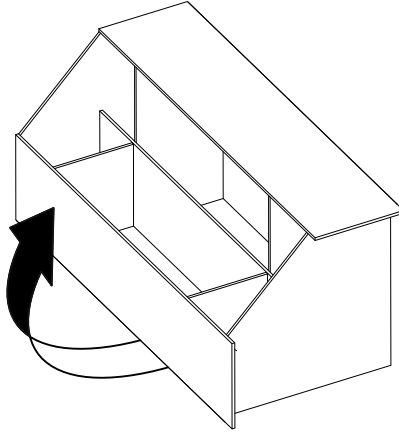
16x

Z07



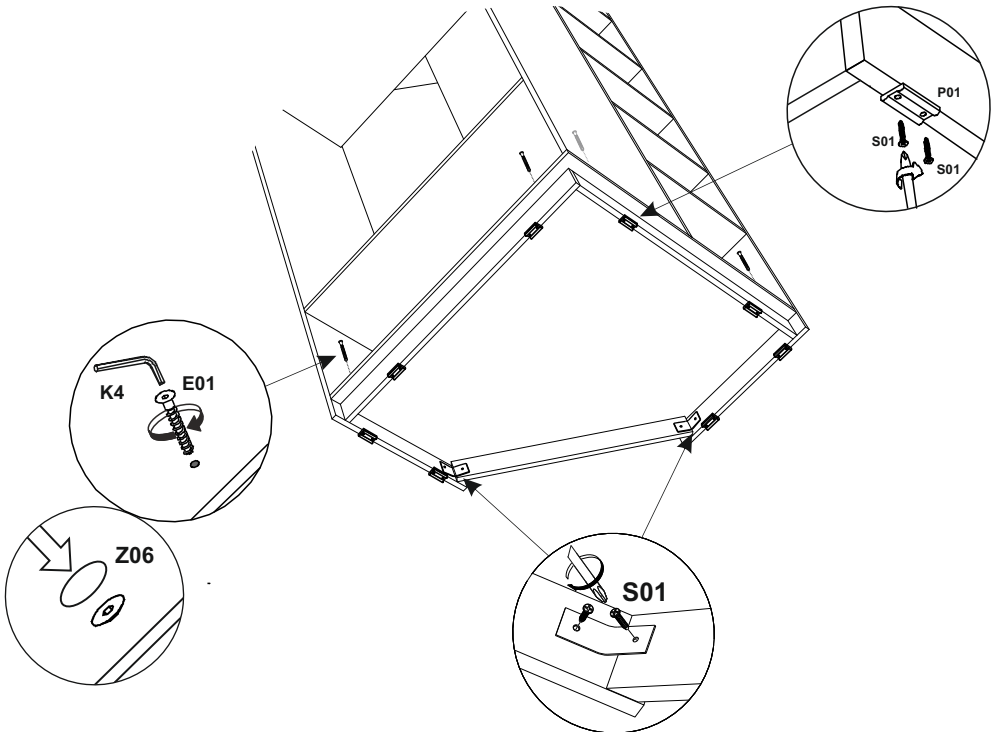


9



10

<p>7x50 4x E01</p>	<p>4MM 1x K4</p>	<p>8x P01</p>	<p>3,5x16 20x S01</p>	<p>2x O03</p>	<p>Ø15 4x Z06</p>
------------------------	----------------------	---------------	---------------------------	---------------	-----------------------



11

1,6x25



85x

G01

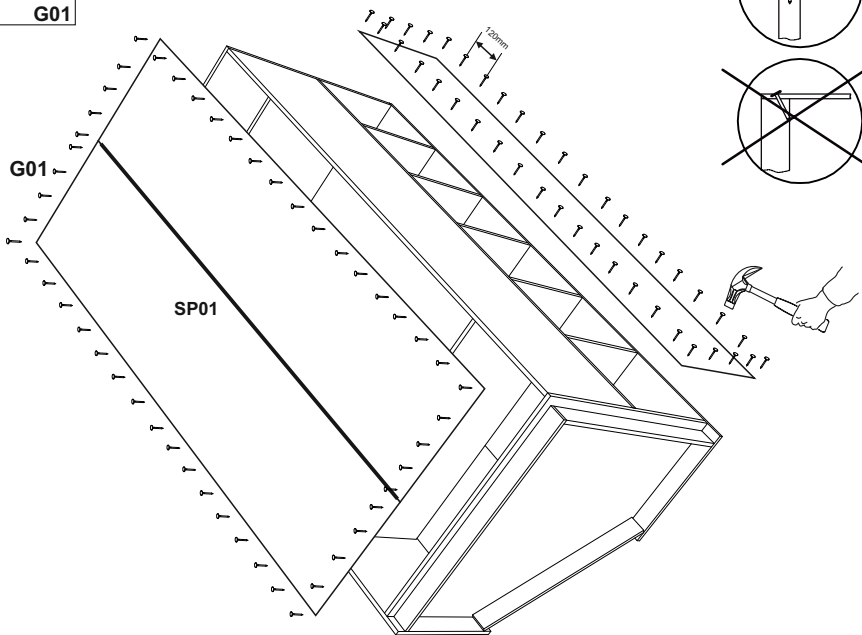
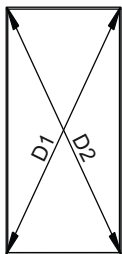
L=2091



1x

SP01

D1=D2

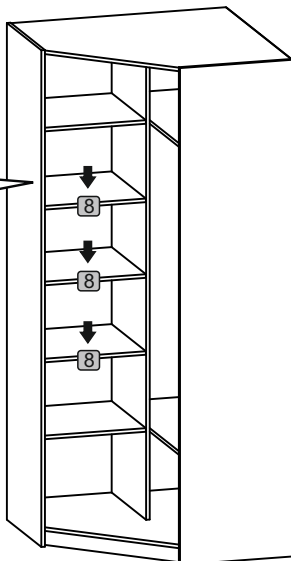
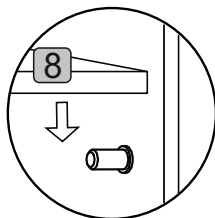
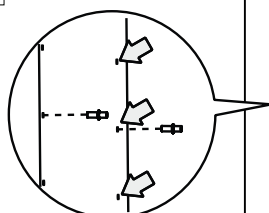


12



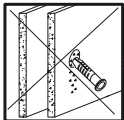
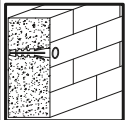
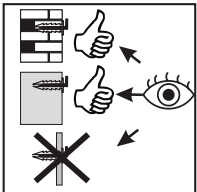
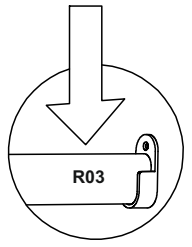
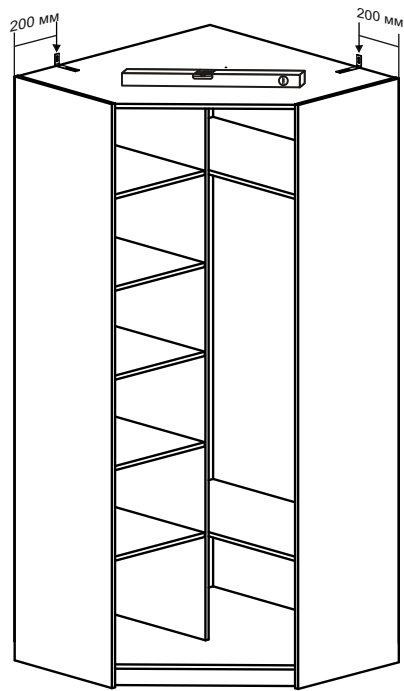
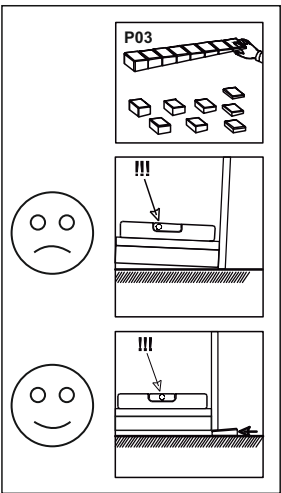
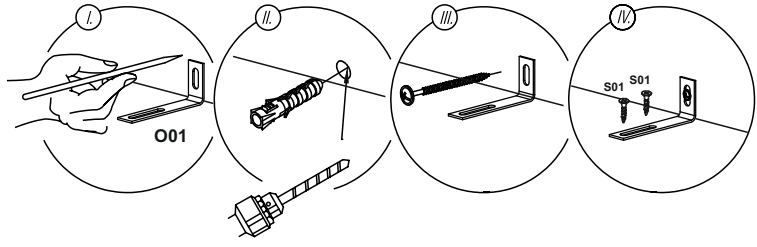
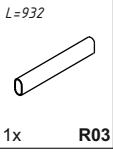
12x

C01



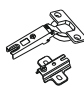


# 13

- 76x32 **O01** 2x
- 3,5x16 **S01** 4x
- 100x20 **P03** 2x



14

3,5x16 	L=1100 	
22x <b>S01</b>	1x <b>RP04</b>	4x <b>PN01</b>

